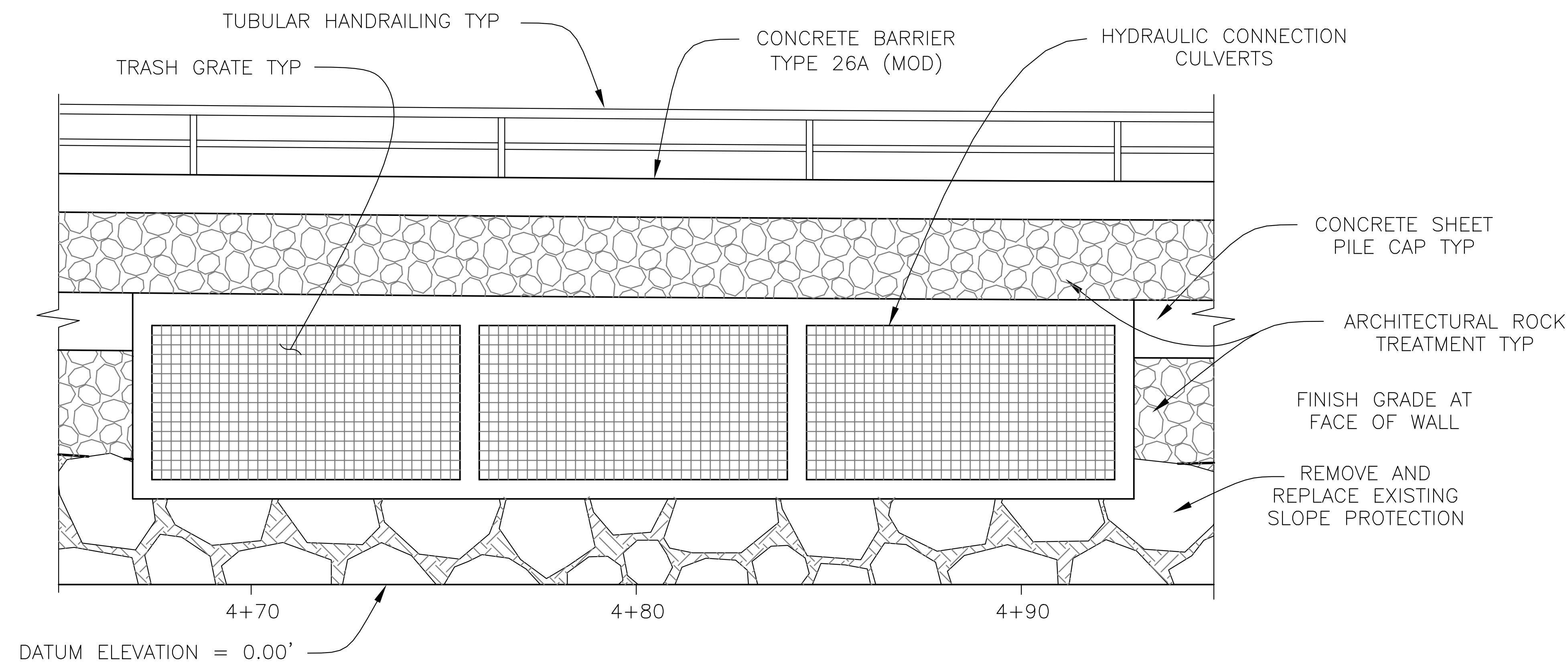


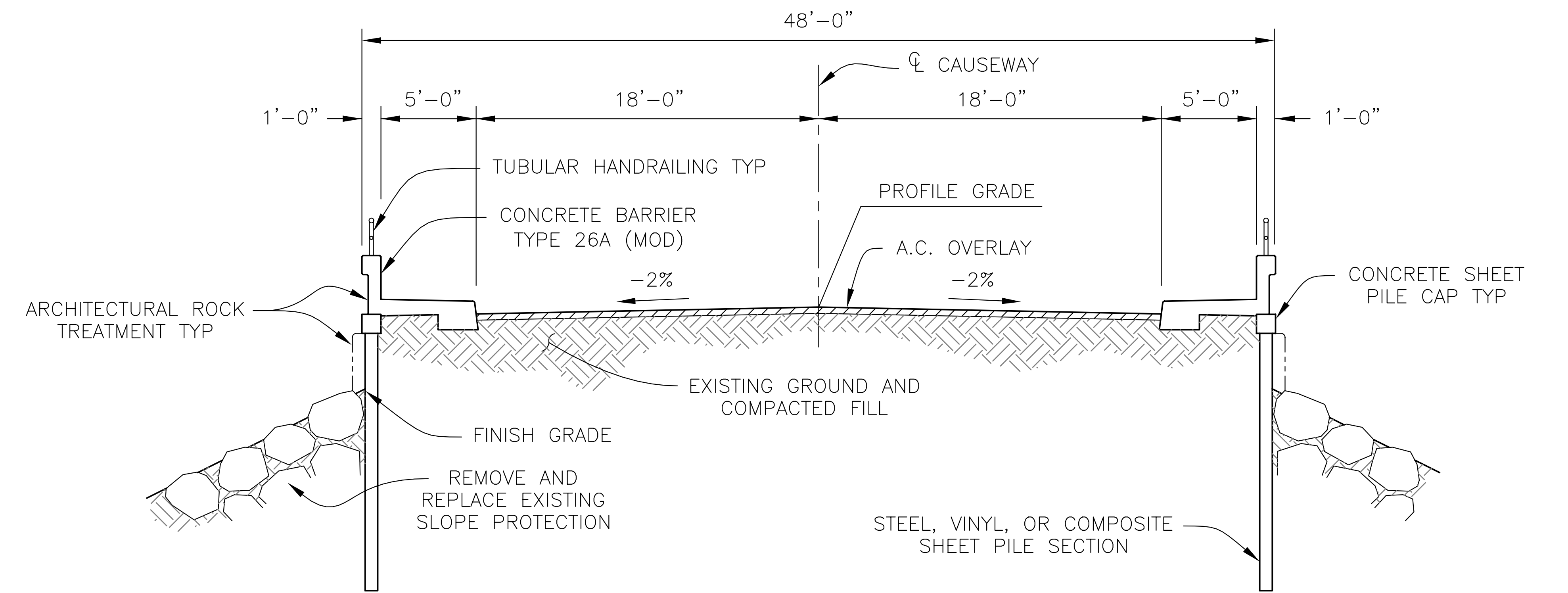
# FIESTA ISLAND PARK PRECISE PLAN

## MAIN ENTRY CAUSEWAY GENERAL PLAN



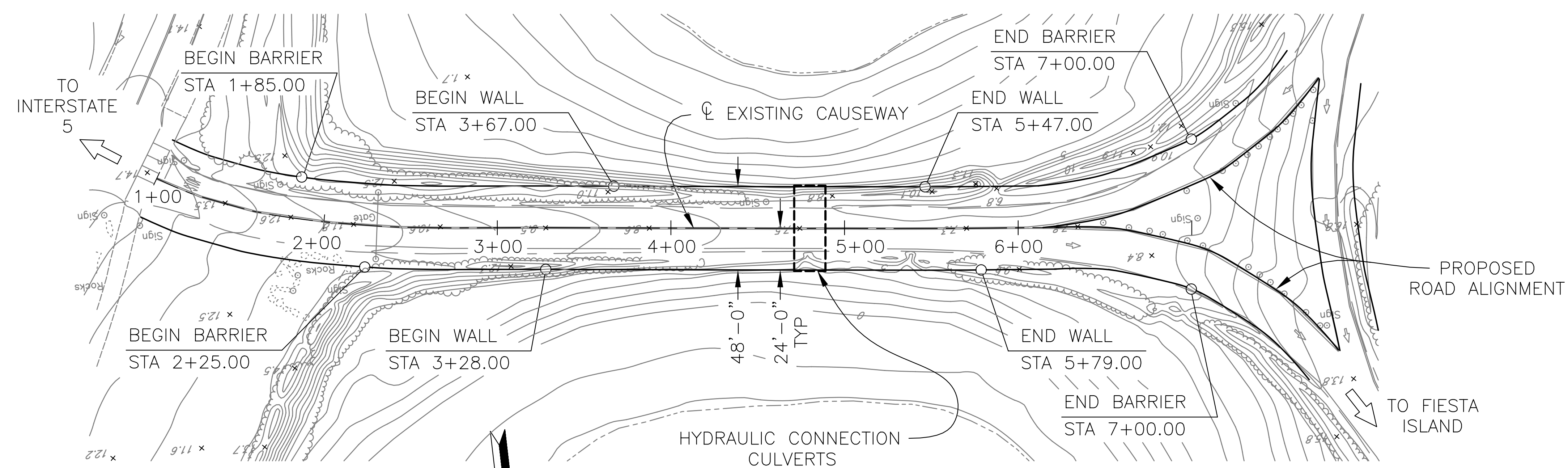
**PARTIAL ELEVATION**

1" = 2'-0"



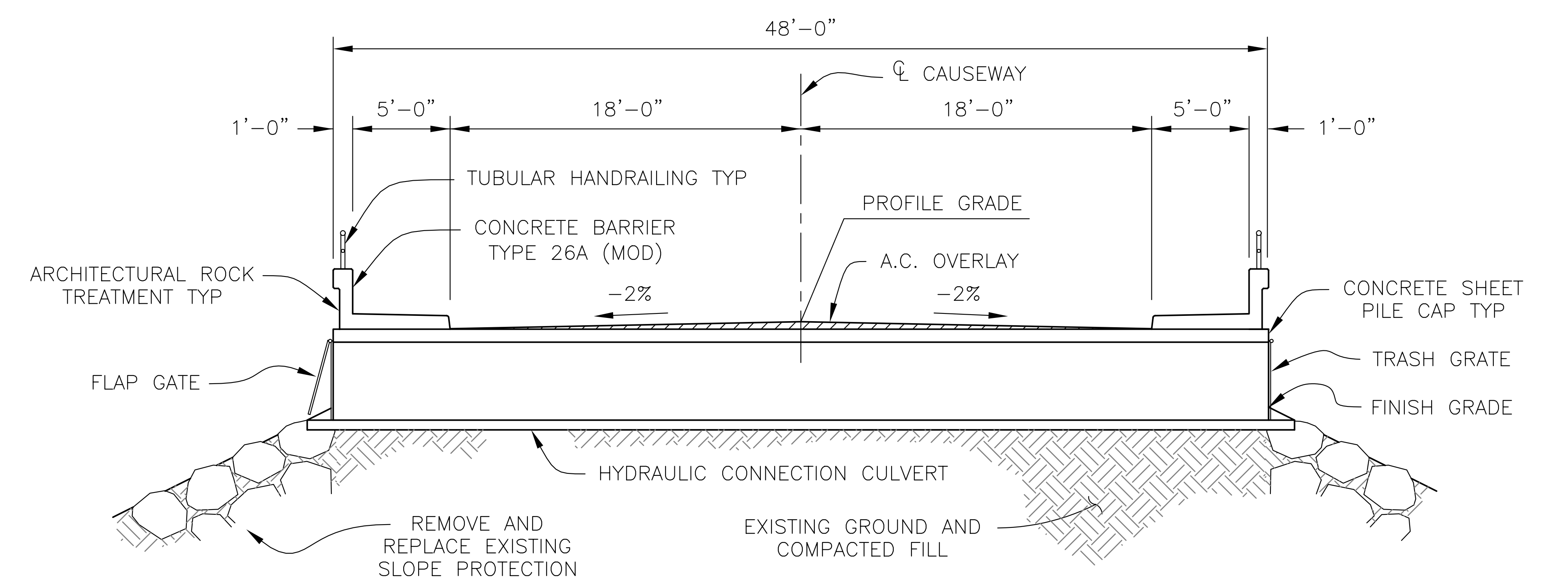
**TYPICAL SECTION**

1/4" = 1'-0"



**PLAN**

1" = 40'-0"



**TYPICAL SECTION**

1/4" = 1'-0"

